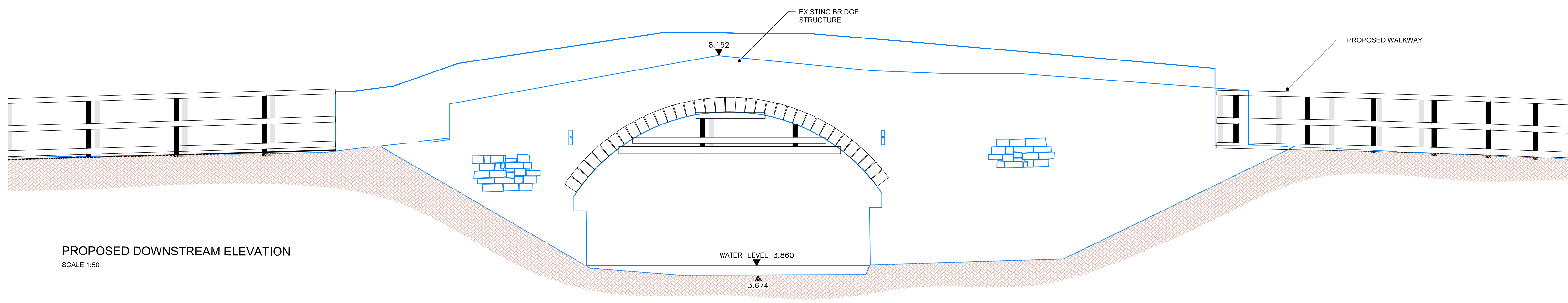
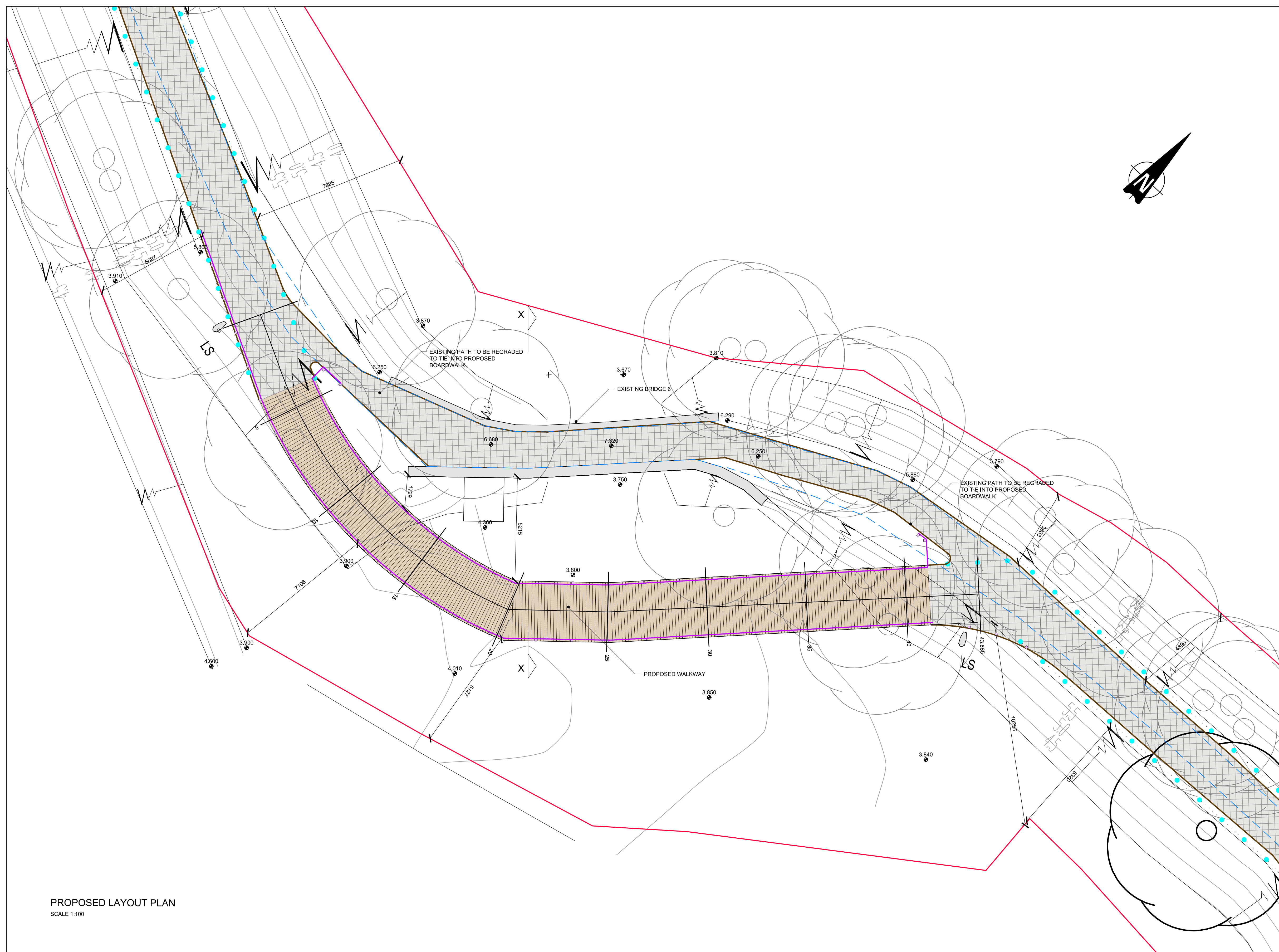


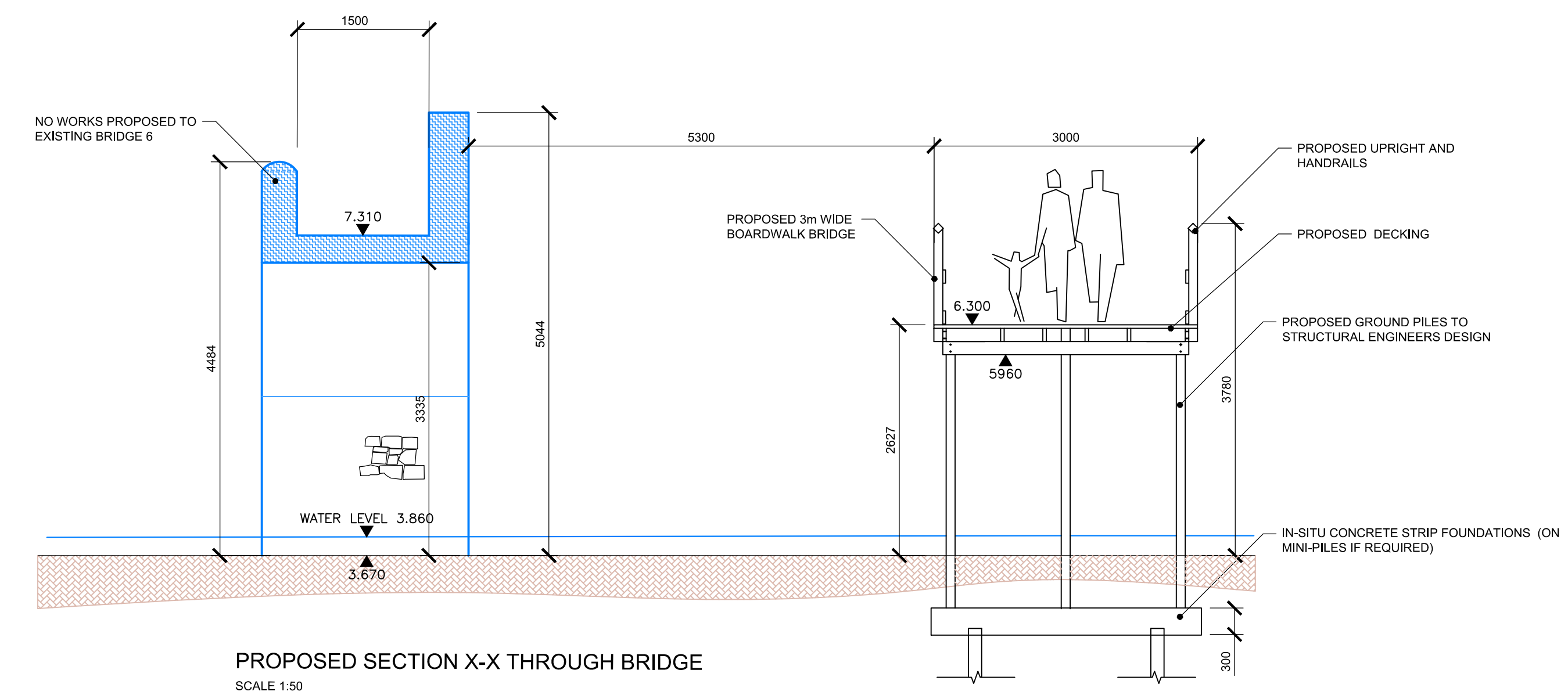
PROPOSED UPSTREAM ELEVATION
SCALE 1:50



PROPOSED DOWNSTREAM ELEVATION
SCALE 1:50



PROPOSED LAYOUT PLAN
SCALE 1:100

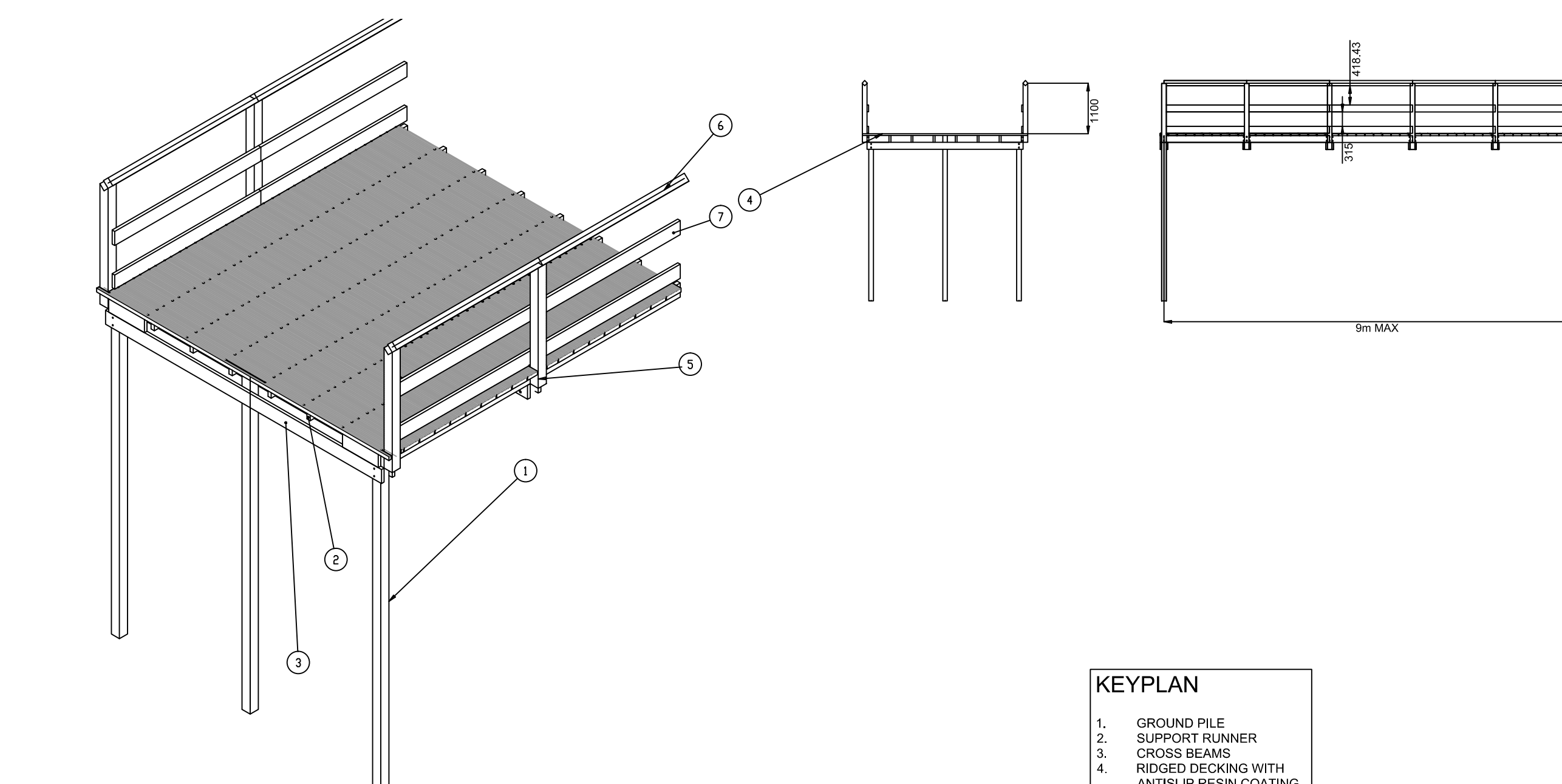


PROPOSED SECTION X-X THROUGH BRIDGE
SCALE 1:50

Datum 0.0

	0+00	0+20	0+40	0+60	0+80	1+00	1+20	1+40	1+60	1+80	2+00	2+20	2+40	2+60	2+80	3+00
Proposed	3.91	3.91	3.91	3.91	3.91	3.91	3.91	3.91	3.91	3.91	3.91	3.91	3.91	3.91	3.91	3.91
Existing	3.91	3.91	3.91	3.91	3.91	3.91	3.91	3.91	3.91	3.91	3.91	3.91	3.91	3.91	3.91	3.91
Chainage	0+00	0+20	0+40	0+60	0+80	1+00	1+20	1+40	1+60	1+80	2+00	2+20	2+40	2+60	2+80	3+00

PROPOSED FOOTBRIDGE
Scale Horizontal 1/200, Vertical 1/200



TYPICAL FOOTBRIDGE CONSTRUCTION
NTS

OS Licence Survey 18807 Licence
County Council 20140802MAL Limerick County Council
City Council 20140802MAL Limerick City Council

TOPOGRAPHICAL SURVEY
TOPOGRAPHICAL SURVEY CARRIED OUT BY GEODATA SURVEYING LTD
ORIGINAL SURVEY DATE: SEPTEMBER 2012

CURRENT DRAWING REFERENCES
12462-101 REV 3
12462-102 REV 3
12462-103 REV 3
12462-104 REV 3
12462-105 REV 3
12462-106 REV 3
12462-107 REV 3
12462-108 REV 2
12462-109 REV 2
12462-110 REV 2
12462-111 REV 2

LEGEND

PROPOSED BOARDWALK BRIDGE SHOWN THUS

PROPOSED LIGHT STANDARD SHOWN THUS

TREES SURVEYED AND NOTED AS SIGNIFICANT AS PER TREE SURVEY REPORT SHOWN THUS

TREES SURVEYED BUT NOT NOTED AS SIGNIFICANT AS PER TREE SURVEY REPORT SHOWN THUS

PROPOSED SITE BOUNDARY SHOWN THUS

PROPOSED MACADAM SURFACE SHOWN THUS

PROPOSED FENCE SHOWN THUS

FOOTPRINT OF ORIGINAL PROPOSAL SHOWN THUS

EXISTING PATH SHOWN THUS

REVISION	DETAILS	DRAWN
PL4	ISSUED FOR COMMENT	KOB
PL3	ISSUED FOR COMMENT	KOB
PL2	ISSUED FOR COMMENT	KOB
PL1	ISSUED FOR PLANNING	KOB
PL0	ISSUED FOR COMMENT	KOB

DRAWING COPYRIGHT: LIMERICK SMARTER TRAVEL
FIGURED DIMENSIONS ONLY TO BE USED DO NOT SCALE FROM DRAWING

Limerick City & County Council
City Hall, Merchants Quay, Limerick City
T: +353 61 427100
F: +353 61 415256

County Limerick
County Limerick
T: +353 61 446800
F: +353 61 446801

Limerick SmarterTravel
FIRST FLOOR
THE GRANARY
BANK PLACE
LIMERICK
T: +353 61 4407455
E: smartertravel@limerickcity.ie

PROJECT TITLE
CITY-UNIVERSITY TOW PATH

DRAWING TITLE
PROPOSED FOOTBRIDGE AT BRIDGE 6

DRAWING STATUS
PLANNING

DRAWING NUMBER
131-143-241

SCALE AS SHOWN
DATE 2013-09-16
DRAWN KORRIEN
SIZE A0
REVISION PL4
CHK SRYAN